

# *SPIRIT*



**SP-4333      Standing Biceps/ Triceps**

## **OWNER'S MANUAL**

Please carefully read this entire manual before operating your new strength equipment.

# TABLE OF CONTENTS

|   |    |
|---|----|
| Introduction .....                              | 3  |
| Manufacturer .....                              | 3  |
| International Offices .....                     | 3  |
| Important safety instructions .....             | 4  |
| Precautions .....                               | 5  |
| Warning .....                                   | 5  |
| Warning Labels and communication stickers ..... | 7  |
| Safeguards .....                                | 8  |
| Assembly and Setup .....                        | 9  |
| Product specifications .....                    | 9  |
| Parts list .....                                | 10 |
| Assembly Instructions.....                      | 14 |
| Startworkout .....                              | 18 |
| Repetition and Time Counter .....               | 19 |
| Maintenance .....                               | 21 |

Copyright 2021. Spirit Fitness® by Dyaco International. All rights reserved, including those to reproduce this book or parts thereof in any form without first obtaining written permission from Spirit Fitness.

Every effort has been made to keep this information current; however, periodically, changes are made to the information herein, and these changes will be incorporated into new editions of this publication. All product names and logos are trademarks of their respective owners.

# Introduction

This manual will acquaint you with the assembly, operation and maintenance of your strength equipment.

SPIRIT Series – **SP4333 Standing Biceps/Triceps** manufactured by Spirit Fitness®

Be sure to read and follow the information and instructions before assembling, using or servicing SPIRIT strength equipment.

# Manufacturer

Dyaco International Inc.  
Taipei HQ Office  
12F, No.111, SongJiang Rd.  
Taipei City, Taiwan, 10486  
Tel: +886-2-2515-2288  
Fax: +886-2-2515-9963  
Email: info@dyaco.com

# International Offices

Spirit Fitness  
3000 Nestle Rd.  
Jonesboro, AR 72401  
Tel: +1-870-935-1107 (Local)  
Toll Free: +1-800-258-8511  
Email: spiritservice@spintfitness.com

Dyaco Canada  
5955 Don Murie Street  
Niagara Falls, ONL2G 0A9 Canada  
Tel: +1 888-707-1880

Dyaco UK Limited  
Unit 5, Featherstone Road, Mill Square, Wolverton  
Mill, Milton Keynes, MK12 5ZD, UK  
Email: service@dyaco.co.uk

Dyaco Germany  
Technologiepark Bergisch-Gladbach Haus 56  
Friedrich-Ebert-Straße 75  
51429 Bergisch Gladbach  
Tel: +49 (0)2204 844 340  
Fax: +49 (0)2204 844 333  
Email: info@dyaco.de

Dyaco Shanghai  
Room 1001, Building C, No.728, ShiGuang Road,  
Yang Pu District, Shanghai, China  
Tel: (86)21-65068300  
Fax: (86)21-65068150

Dyaco Japan  
Dai 2 Shirako Bldg. 501 6-16-7 Nishi Kasai  
Edogawa Tokyo 134-0088, Japan  
Tel: 03-6808-4588  
Fax: 03-6808-4677  
Email: info@dyaco.jp

If any items need replacement contact the Spirit Fitness Customer Support Department. For international customers, please contact your local distributor.

# IMPORTANT SAFETY INSTRUCTIONS

Read the Owner's Manual carefully before assembling, servicing or using the equipment. It is the responsibility of the facility owner and/or owner of the equipment to instruct users on proper operation of the equipment and review all labels.

**WARNING:** Serious injury could occur if these safety precautions are not observed:

## USER SAFETY PRECAUTIONS

- Obtain a medical exam before beginning any exercise program.
- Stop exercising if feeling faint, dizzy or experiencing pain and consult your physician.
- Obtain instructions before using.
- Read and understand the owner's manual and all warnings posted on the machine before using.
- Keep all children (12 and under) away. Teenagers (13 and over) and disabled must be supervised.
- Keep body and clothing free from and clear of all moving parts.
- Use the machine only for the intended use. DO NOT modify the machine.
- Inspect machine prior to use. DO NOT use if it appears damaged or inoperable.
- Inspect all cables and connections prior to use. DO NOT use if any components are worn, frayed or damaged.
- DO NOT attempt to fix a broken or jammed machine. Notify floor staff.
- DO NOT use if guards are missing or damaged.
- Be sure that the weight pin is completely inserted. Use only the pin provided by the manufacturer. If unsure seek assistance.
- Never pin the weights in an elevated position. DO NOT use this machine if found in this condition. Seek assistance from floor staff.
- DO NOT use dumbbells or other incremental weights, except those provided by the manufacturer.
- Report any malfunctions, damage or repairs to the facility.
- Replace any warning labels if damaged, worn or illegible.
- DO NOT use this machine outdoors.

## FACILITY SAFETY PRECAUTIONS

- Read the Owner's Manual carefully before assembling, servicing or using the equipment.
- Make sure that each machine is set up and operated on a solid level surface.
- Make sure that all users are properly trained on how to use the equipment.
- Make sure there is enough room for safe access and operation of the equipment.
- Perform regular maintenance checks on the equipment. Also pay close attention to all areas most susceptible to wear, including (but not limited to) cables, pulleys, belts and grips.
- Immediately replace worn or damaged components. If unable to immediately replace worn or damaged components then remove from service until the repair is made.
- Use only Spirit Fitness supplied components to maintain/repair the equipment.
- Keep a repair log of all maintenance activities.
- Inspect all cables and belts and connections prior to use. DO NOT use if any components are worn, frayed or damaged.

*NOTE: It is the sole responsibility of the user/owner or facility operator to ensure that regular maintenance is performed.*



# PRECAUTIONS

These safety notes are directed to you as the owner of the Strength Equipment manufactured by Spirit Fitness. Please train all your users and fitness staff to follow these safety instructions.

## DO

- Do encourage each of your users to discuss their health program or fitness regimen with a healthcare professional.
- Do stop operating your Strength Equipment if you feel dizzy or faint.
- Do perform regular preventative maintenance.
- Do exercise slowly until you reach a level of comfort.

## DO NOT

- Do not let unsupervised children operate the Strength Equipment.
- Do not use without proper athletic shoes.
- Do not use in rainy weather outdoors, or in an enclosed pool environment.
- Do not drop or insert any object, hands, or feet into any opening or within the area of the product.
- Do not attempt to remove any shrouds or modify the Strength Equipment.

# WARNING

- Your Strength Equipment manufactured by Spirit Fitness is designed for the exercise in a commercial or consumer environment.
- Please check with your physician prior to beginning any exercise program.
- Do not push yourself to excess. Stop if you are feeling faint, dizzy, or exhausted. Use common sense during workout.
- Read the owner's manual in its entirety before operating the Strength Equipment.
- Failure to obey this warning can result in injury or death.

SPIRIT FITNESS® and the Spirit Fitness logo are registered trademarks of Dyaco International.

## SECURING EQUIPMENT

The machine has holes in the feet, which allow for ease in anchoring to the floor. Spirit Fitness strongly recommends that to eliminate rocking, tipping or falling over due to incorrect usage and misuse, equipment be secured to a solid, level surface.

The solid, level surface should not deviate more than 1/8" over a 10' distance or as defined and required by local building and architectural codes.

Anchoring of equipment must be completed by a qualified licensed contractor.

Anchoring holes are provided on the feet of the frame. All anchoring locations must be used when anchoring the equipment to the floor.

Due to the wide variation of flooring on which machines may be anchored or installed, verify anchoring method and anchoring fasteners with a qualified and licensed contractor.

All anchor points must be able to withstand 750 lbs. (3.3 kN) pull-out force.

Do not use machine until it is properly anchored.

## SAFETY GUIDELINES AND PRACTICES

Spirit Fitness recommends that all fitness equipment be used in a supervised area. It is recommended that the equipment be located in an access controlled area. Control is the responsibility of the owner. The extent of control is at the discretion of the owner.

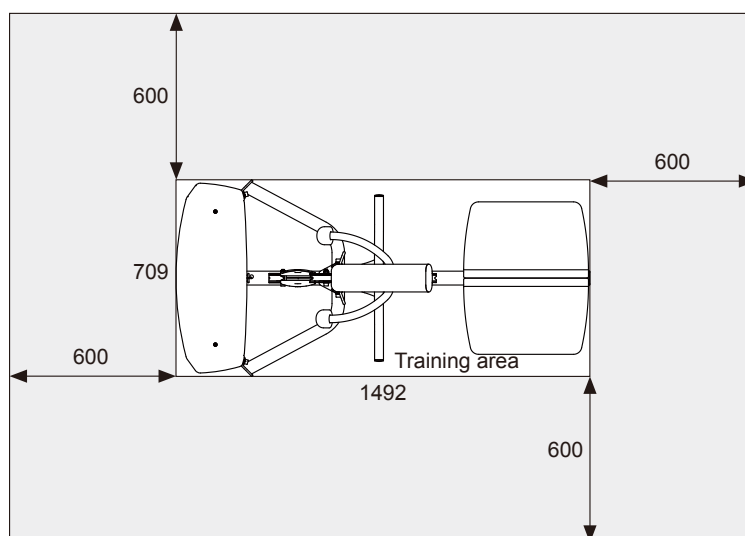
It is the responsibility of the purchaser/user of Spirit Fitness products to read and understand the owner's manual, and warning labels; as well as instruct all individuals, whether end users or supervising personnel, on proper usage of the equipment.

## PROPER USAGE

- Use machine only as described in the manual. Failing to follow proper instructions may result in injury.
- Do not lean against or pull on the framework or any component, whether machine is at rest or in use. Inappropriate or improper use may result in injury to users or third parties (bystanders).
- Do not use machine if it is not located on a solid level surface or is improperly installed.
- Provide an adequate safety perimeter between the machine, walls and other equipment to ensure that the facility has the proper clearance for usage and training.

### Live area and Training area

The live area shall be not less than 600mm (23.62") greater than the training area in the directions from which the equipment is accessed. The live area must also include the area for emergency dismount.



### California Prop 65 Warning



**WARNING:** This product can expose you to chemicals including Toluene and Acrylamide, which are known to the State of California to cause cancer and birth defects or other reproductive harm.

For more information go to [www.P65Warnings.ca.gov](http://www.P65Warnings.ca.gov).

# Warning Labels and Communication Stickers

The following pages show examples of Spirit® Fitness warning labels and communication stickers placed on the equipment as part of the manufacturing process. It is critical that owners maintain the integrity and placement of these stickers. If you find any stickers missing or damaged contact your local dealer or distributor for a replacement.

If any instructions or information are not clear, and please contact to SPIRIT FITNESS customer service right away.

**NOTE: STICKERS AND LABELS ARE NOT SHOWN TO SCALE**



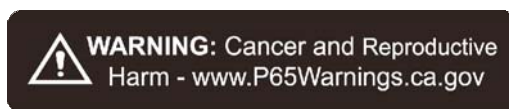
Warning Decal



Serial Number Decal



California Prop 65 Warning Decal(For US model only)



# SAFEGUARDS

The following fitness safeguards and operating precautions are directed to purchasers and users of the Strength Equipment. Club Managers should ensure that members and fitness staff are trained to follow these same instructions. Failure to follow these safeguards may result in injury or serious health risk.

## Proper Usage

- DO NOT use any equipment in any way other than designed or intended by the manufacturer. It is imperative that SPIRIT FITNESS equipment is used properly to avoid injury.
- Injuries may result if exercising improperly or excessively. It is recommended that all individuals consult a physician prior to commencing an exercise program. If at any time during exercise you feel faint, dizzy or experience pain, STOP EXERCISING and consult your physician.
- Keep body parts (hands, feet, hair, etc.), clothing and jewelry away from moving parts to avoid injury.
- Follow instructions provided in this manual for correct foot position and basic techniques.
- The maximum weight for individuals using the Strength Equipment should not exceed 330 pounds (150 kilograms).

## Inspection

- DO NOT use or permit use of any equipment that is damaged and/or has worn or broken parts. For all SPIRIT FITNESS equipment use only replacement parts supplied by SPIRIT FITNESS .
- Cables and belts pose an extreme liability if used when frayed. Always replace any cable or belt at first sign of wear (consult SPIRIT FITNESS if uncertain).
- EQUIPMENT MAINTENANCE - Preventative maintenance is the key to smooth operating equipment as well as to keep your liability to a minimum. Equipment needs to be inspected at regular intervals.
- Ensure that any person(s) making adjustments or performing maintenance or repair of any kind is qualified to do so.
- DO NOT ATTEMPT TO USE OR REPAIR ANY ACCESSORY APPROVED FOR USE WITH THE SPIRIT FITNESS EQUIPMENT WHICH APPEARS TO BE DAMAGED OR WORN.
- Check all belts, pulleys and bungee cords regularly for signs of wear, and replace if needed.
- Check regularly and follow all instructions for maintenance as specified in this manual.
- Replace immediately any defective parts and do not operate unit until all repairs are complete.

## Operating Warnings

- Keep children away from the equipment. Parents or others supervising children must provide close supervision of children if the equipment is used in the presence of children.
- Do not allow users to wear loose fitting clothing or jewelry while using equipment. It is also recommended to have users' secure long hair back and up to avoid contact with moving parts.
- All bystanders must stay clear of all users, moving parts and attached accessories and components while machine is in operation.

**Note: This Strength Equipment is not suitable for therapeutic purposes.**

# Assembly & Setup

Use the following procedures to unpack and assemble your **Strength Equipment manufactured by Spirit Fitness**.

## Unpacking & Parts

1. Position the shipping carton so the Heavy End is located at the bottom.
2. Cut the straps then lift the box over the unit and unpack. Remove all parts from the shipping carton and foam inserts, and verify that all parts are included in your shipment:
3. Locate the hardware package. The hardware is separated into four steps. Remove the tools first. Remove the hardware for each step as needed to avoid confusion. The numbers in the instructions that are in parenthesis (#) are the item number from the assembly drawing for reference.

**NOTE:** All tools required to assemble the Strength Equipment are included within the packaging.

Take time now to enter your Strength Equipment serial number in the space below.  
(Serial number is located on the center tube, see page 17).

Serial No. \_\_\_\_\_

**NOTE:** If you are missing any of the parts listed above, inspect the packing material and the box for items that may have been overlooked.

If parts are missing, or if you have any operational questions, please call your local Spirit Fitness's Service department or the distributor whom sold you the product. Please see page 3 for a listing of international corporate offices and locate the office nearest you. Have your serial number ready.

**CAUTION:** Damage to the Strength Equipment during assembly is not covered as part of the limited Spirit Fitness warranty. Take care not to drop or lean the Strength Equipment on its side. Carefully stand the Strength Equipment up in the normal upright position on a stable surface so it will not tip over during assembly.

Protect the environment by not disposing of this product with household waste. Check your local authority or approved waste center for recycling advice and facilities.

## Product Specifications

|                         |                   |
|-------------------------|-------------------|
| Maximum Training Weight | 180 kgs / 360 lbs |
| Products Weight         | 165 kgs / 364 lbs |
| Overall Dimensions      | 709*1492*2104     |

# Parts List

| No. | Description                           | Spec         | Qty | Part No.    |
|-----|---------------------------------------|--------------|-----|-------------|
| 001 | Doorframe                             |              | 1   | SP-4333-001 |
| 002 | Upper shield                          |              | 1   | SP-4333-002 |
| 003 | Shield fixed plate                    |              | 4   | SP-4333-003 |
| 004 | Guide rod                             |              | 2   | SP-4333-004 |
| 005 | Guide rod fixed plate                 |              | 1   | SP-4333-005 |
| 006 | Fixed bushing                         |              | 12  | SP-4333-006 |
| 007 | Front shield                          |              | 1   | SP-4333-007 |
| 008 | Back shield                           |              | 1   | SP-4333-008 |
| 009 | Rubber bumper                         |              | 2   | SP-4333-009 |
| 010 | Rubber bumper                         |              | 2   | SP-4333-010 |
| 011 | Floor cushion                         |              | 2   | SP-4333-011 |
| 012 | Rod end cover                         |              | 4   | SP-4333-012 |
| 013 | Pulley sets                           |              | 2   | SP-4333-013 |
| 014 | Selector pin                          |              | 1   | SP-4333-014 |
| 015 | Cross recessed countersunk head screw | M5*10        | 8   | SP-4333-015 |
| 016 | Countersunk head hexagon socket screw | M6*16        | 12  | SP-4333-016 |
| 017 | Inner Hexagon Mushroom Head Bolt      | M8*25        | 4   | SP-4333-017 |
| 018 | Inner Hexagon Socket Head Bolt        | M6*16        | 2   | SP-4333-018 |
| 019 | Inner Hexagon Socket Head Bolt        | M8*20        | 2   | SP-4333-019 |
| 020 | Inner Hexagon Socket Head Bolt        | M10*35       | 4   | SP-4333-020 |
| 021 | Inner Hexagon Socket Head Bolt        | M10*55       | 2   | SP-4333-021 |
| 022 | Spring washer                         | M6           | 2   | SP-4333-022 |
| 023 | Spring washer                         | M8           | 2   | SP-4333-023 |
| 024 | Spring washer                         | M10          | 4   | SP-4333-024 |
| 025 | Flat washer                           | Φ12*Φ6.4*1.6 | 2   | SP-4333-025 |
| 026 | Flat washer                           | Φ16*Φ8.4*1.6 | 6   | SP-4333-026 |
| 027 | Flat washer                           | Φ20*Φ10.5*2  | 8   | SP-4333-027 |
| 028 | Nylon nut                             | M10          | 2   | SP-4333-028 |
| 029 | Rivet nut with small countersunk head | M8*18        | 4   | SP-4333-029 |

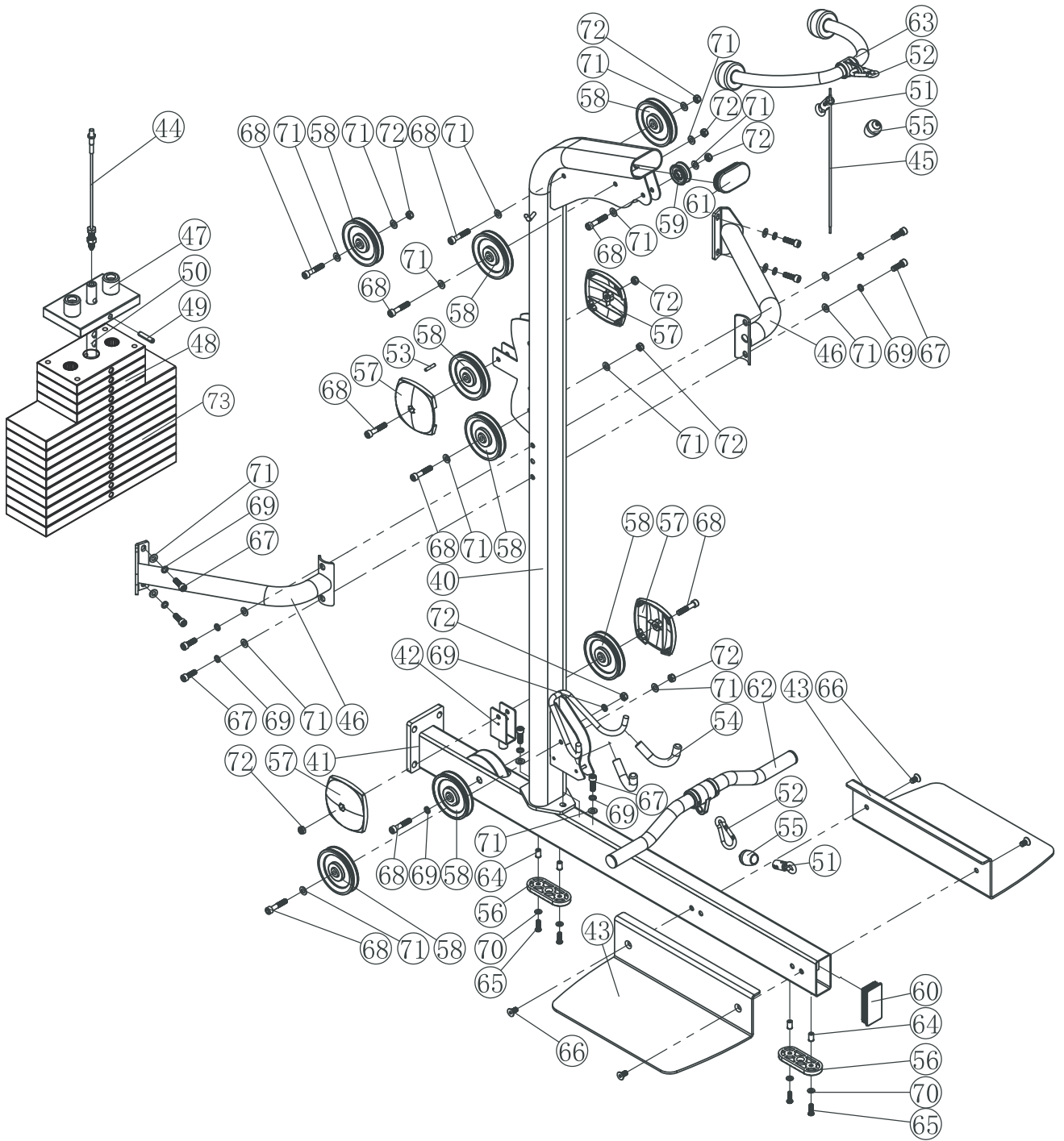
# Parts List

| No. | Description                            | Spec         | Qty | Part No.    |
|-----|--|--------------|-----|-------------|
| 040 | Upright Frame                          |              | 1   | SP-4333-040 |
| 041 | Floor Frame                            |              | 1   | SP-4333-041 |
| 042 | Pulley Frame                           |              | 1   | SP-4333-042 |
| 043 | Pedal                                  |              | 2   | SP-4333-043 |
| 044 | Cable 1                                |              | 1   | SP-4333-044 |
| 045 | Cable 2                                |              | 1   | SP-4333-045 |
| 046 | Connect Frame                          |              | 2   | SP-4333-046 |
| 047 | 10lb top weight stack                  |              | 1   | SP-4333-047 |
| 048 | 10lb weight stack                      |              | 4   | SP-4333-048 |
| 049 | Spring Pin                             | 10*45        | 1   | SP-4333-049 |
| 050 | 15-Hole Select Axle                    |              | 1   | SP-4333-050 |
| 051 | Ring set                               |              | 2   | SP-4333-051 |
| 052 | Hook                                   |              | 2   | SP-4333-052 |
| 053 | Pin                                    | 6*30         | 1   | SP-4333-053 |
| 054 | Small handle cover 1                   |              | 2   | SP-4333-054 |
| 055 | Hook                                   |              | 2   | SP-4333-055 |
| 056 | Floor mat                              |              | 2   | SP-4333-056 |
| 057 | Puley Cover                            |              | 4   | SP-4333-057 |
| 058 | Puley                                  |              | 8   | SP-4333-058 |
| 059 | Puley                                  |              | 1   | SP-4333-059 |
| 060 | Plug                                   |              | 1   | SP-4333-060 |
| 061 | Elliptical plug                        |              | 1   | SP-4333-061 |
| 062 | Low- pull handle                       |              | 1   | SP-4333-062 |
| 063 | Rope                                   |              | 1   | SP-4333-063 |
| 064 | Countersunk head riveted nuts          | M8*18        | 4   | SP-4333-064 |
| 065 | Button Head Inner Hexagon Bolt         | M8*25        | 4   | SP-4333-065 |
| 066 | Hexagon socket countersunk head screws | M10*20       | 4   | SP-4333-066 |
| 067 | Socket Head Inner Hexagon Bolt         | M10*30       | 10  | SP-4333-067 |
| 068 | Socket Head Inner Hexagon Bolt         | M10*50       | 9   | SP-4333-068 |
| 069 | Spring washer                          | M10          | 12  | SP-4333-069 |
| 070 | Flatwasher                             | Φ16*Φ8.4*1.6 | 4   | SP-4333-070 |
| 071 | Flatwasher                             | Φ20*Φ10.5*2  | 22  | SP-4333-071 |
| 072 | Nylon NUT                              | M10          | 9   | SP-4333-072 |
| 073 | 20lb weight stack                      |              | 10  | SP-4333-073 |
| 202 | Fixing plate                           | 79*33*80*3   | 1   | SP-43-202   |
| 203 | Counter weight                         | 175*119*80   | 1   | SP-43-203   |
| 204 | Copper bush                            | φ28*φ21.5*10 | 4   | SP-43-204   |
| 205 | Adjustable pin                         | Φ12*57       | 1   | SP-43-205   |
| 206 | Spring                                 | Φ11.5*Φ1*25  | 1   | SP-43-206   |
| 207 | Knob                                   | Φ24*Φ12*32   | 1   | SP-43-207   |
| 208 | Socket cap screw                       | M8*12        | 2   | SP-43-208   |
| 209 | Spring washer                          | M8           | 2   | SP-43-209   |





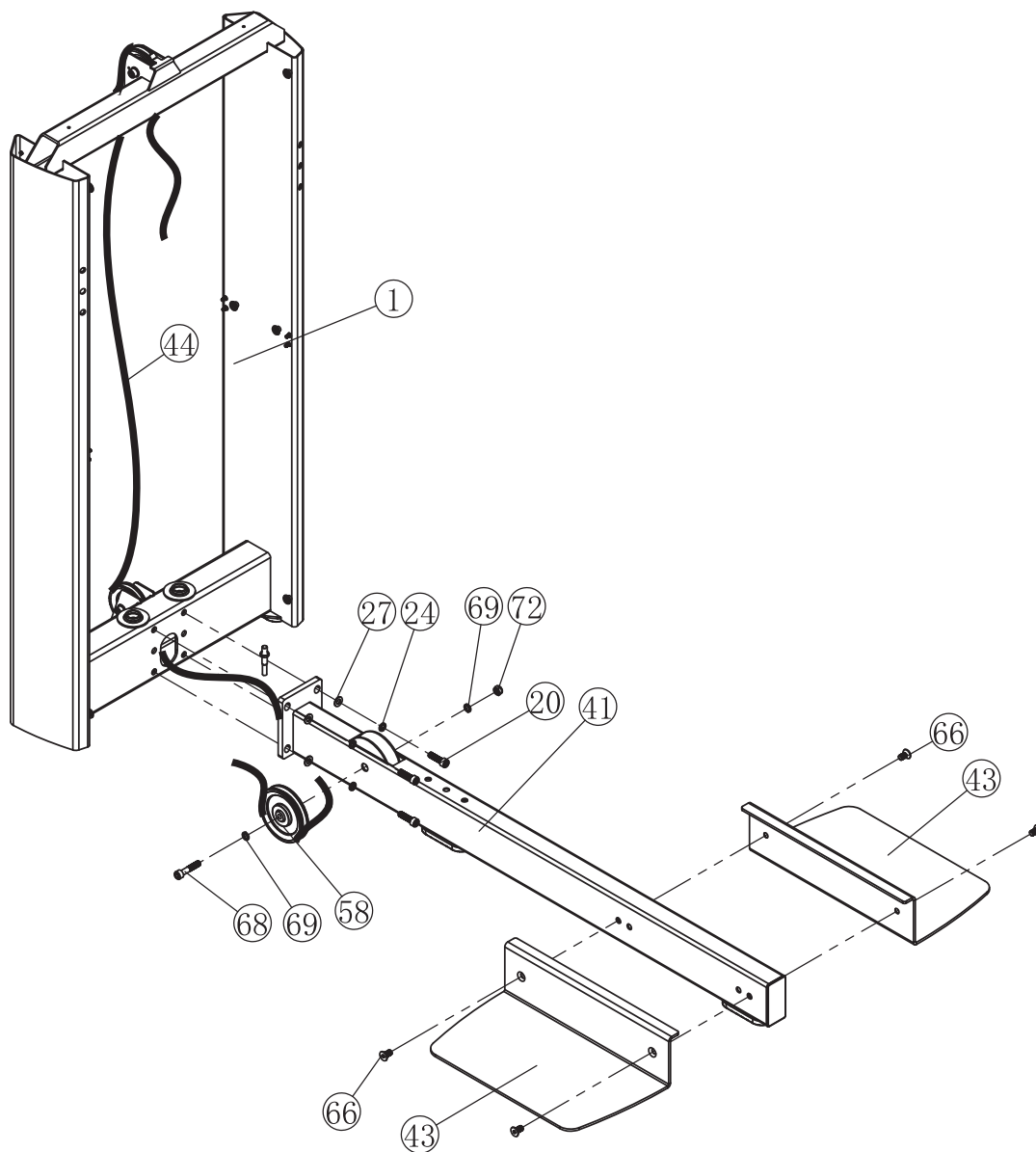




# Assembly Instructions

## STEP 1

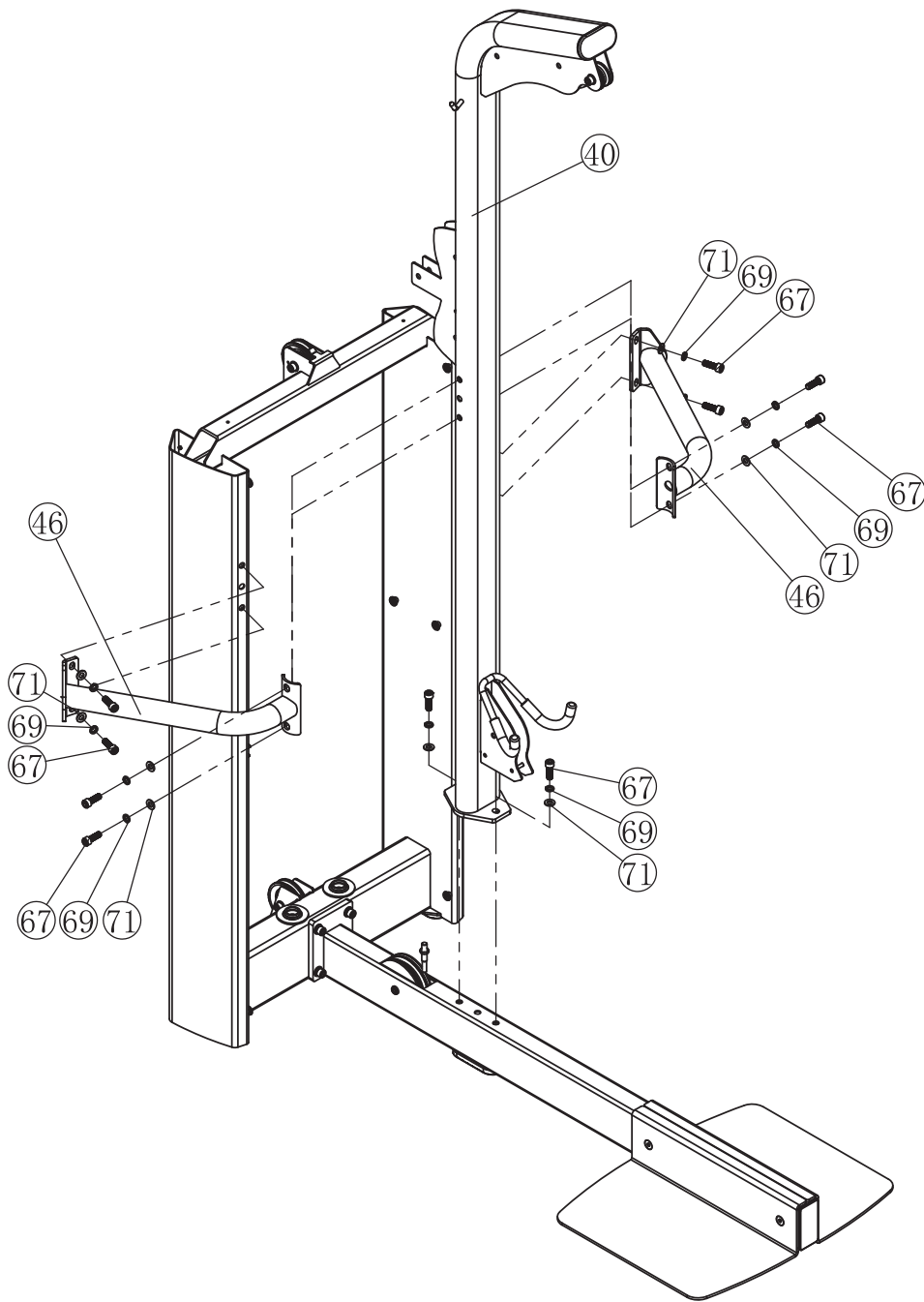
| No. | Description                            | Specifications | Qty |
|-----|--|----------------|-----|
| 001 | Doorframe                              |                | 1   |
| 020 | Inner Hexagon Socket Head Bolt         | M10*35         | 4   |
| 024 | Spring washer                          | M10            | 4   |
| 027 | Flat washer                            | Φ20*Φ10.5*2    | 4   |
| 041 | Floor Frame                            |                | 1   |
| 043 | Pedal                                  |                | 2   |
| 044 | Cable 1                                |                | 1   |
| 058 | Puley                                  |                | 1   |
| 066 | Hexagon socket countersunk head screws | M10*20         | 4   |
| 068 | Socket Head Inner Hexagon Bolt         | M10*50         | 1   |
| 069 | Spring washer                          | M10            | 2   |
| 072 | Nylon NUT                              | M10            | 1   |



# Assembly Instructions

## STEP 2

| No. | Description                    | Specifications | Qty |
|-----|--------------------------------|----------------|-----|
| 040 | Upright Frame                  |                | 1   |
| 046 | Connect Frame                  |                | 2   |
| 067 | Socket Head Inner Hexagon Bolt | M10*30         | 10  |
| 069 | Spring washer                  | M10            | 10  |
| 071 | Flatwasher                     | Φ20*Φ10.5*2    | 10  |

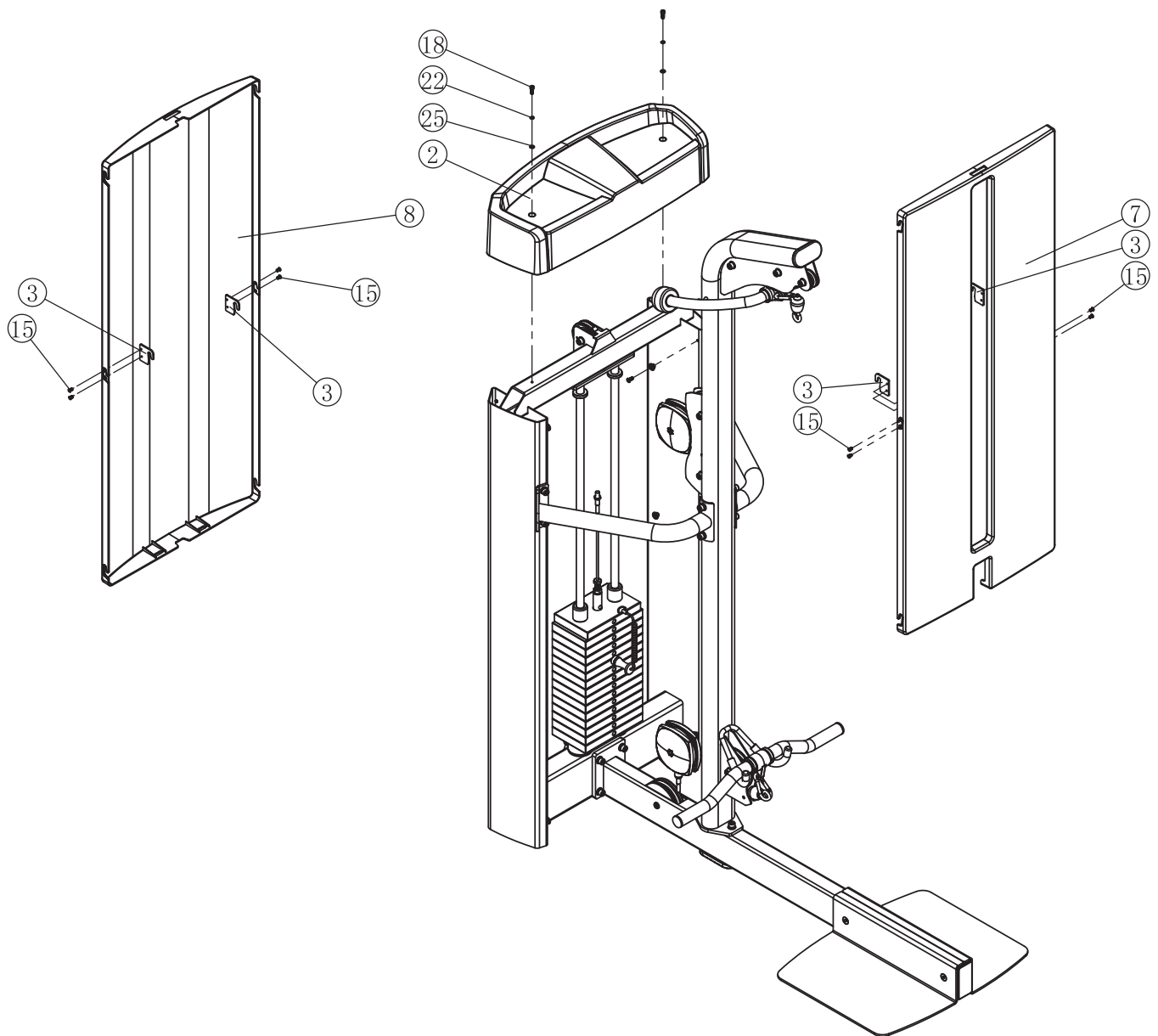




# Assembly Instructions

## STEP 4

| No. | Description                           | Specifications | Qty |
|-----|---------------------------------------|----------------|-----|
| 002 | Upper shield                          |                | 1   |
| 003 | Shield fixed plate                    |                | 4   |
| 006 | Fixed bushing                         |                | 12  |
| 007 | Front shield                          |                | 1   |
| 008 | Back shield                           |                | 1   |
| 015 | Cross recessed countersunk head screw | M5*10          | 8   |
| 016 | Countersunk head hexagon socket screw | M6*16          | 12  |
| 018 | Inner Hexagon Socket Head Bolt        | M6*16          | 2   |
| 022 | Spring washer                         | M6             | 2   |
| 025 | Flat washer                           | Φ12*Φ6.4*1.6   | 2   |



# START WORKOUT

Warning: Improper use and form on the product might cause injury

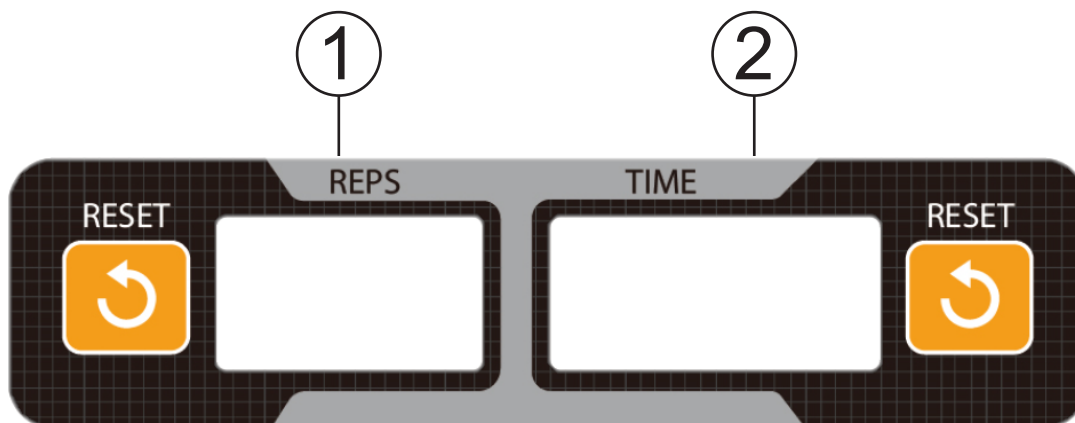


# Repetition and Time Counter

A battery-operated console is available for use on SP-43 Series Selectorized Strength Equipment.

The console tracks workout time and number of repetitions per set.

|   |                    |
|---|--------------------|
| 1 | Repetition Counter |
| 2 | Time Counter       |

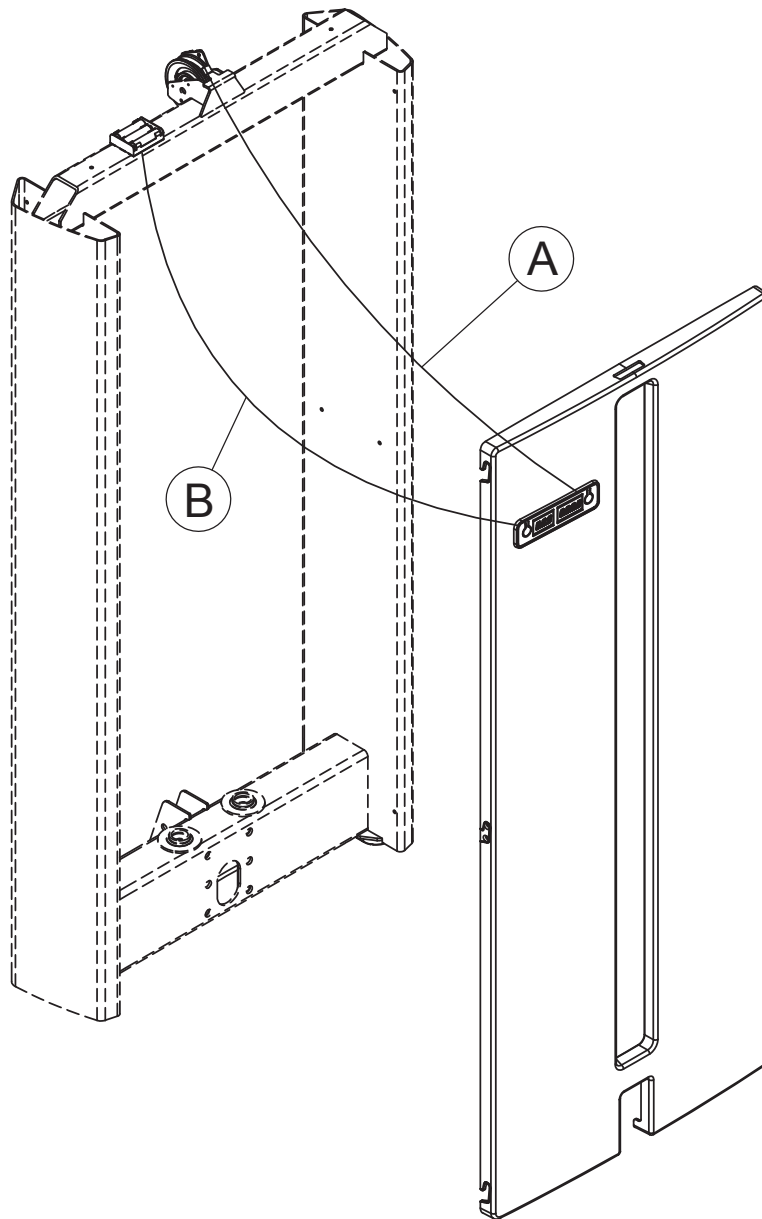


- This counter is powered by 2 pcs of C batteries.  
(Alkaline Battery Recommended)

## Troubleshooting

| PROBLEM  | TROUBLESHOOTING  |
|--|--|
| Display does not turn on when you pickup the weight                          | <ul style="list-style-type: none"> <li>• Replace batteries.</li> <li>• Check the magnet is still in position and the reed switch is still positioned next to the magnet.</li> <li>• Check connections at back of console for battery and switch assembly.</li> <li>• Replace the console.</li> </ul> <p><b>NOTE:</b> A console comes with the magnet and reed switch assembly.</p> |
| Rep counter turns ON when you pickup the head plate but does not count reps. | <ul style="list-style-type: none"> <li>• Make sure you are doing a full repetition. Magnet must go up past the counter reed switch and back down past it to count ONE repetition.</li> <li>• Check for broken or cut wires. If broken or cut wires found, replace the console.</li> </ul> <p><b>NOTE:</b> Console includes all wiring.</p>   |

| No. | Description                   | Spec | Qty |
|-----|-------------------------------|------|-----|
| A   | Dry Reed Pipe Connection Wire |      | 1   |
| B   | Power Line                    |      | 1   |





# Maintenance

A regular preventative maintenance schedule with all fitness equipment ensures that products are working at an optimal condition without affecting the end user exercise experience. To assist in the maintenance regiment, it is recommended to break service into: Daily, Weekly, & Monthly activities. Details on each activity can be found in the “Maintenance” section of this document.

All preventive maintenance activities must be performed on a regular basis. Performing routine preventive maintenance actions can aid in providing safe, trouble-free operation of all SPIRIT equipment. SPIRIT is not responsible for performing regular inspection and maintenance actions for your machines. Instruct all personnel in equipment inspection and maintenance actions and also in accident reporting and recording.

| Item                 | Time Frame  | Instructions  |
|----------------------|-------------|---|
| Frame                | Bi-Annually | Wipe down with lint free cloth.   |
| Belt & Cable         | Daily       | Wipe down with lint free cloth.   |
| Upholstery           | Daily       | Wipe down with lint free cloth.   |
| Machine              | As Needed   | Wipe down with lint free cloth.   |
| Lubricate Guide Rods | As Needed   | Apply the Teflon based lubricant to a cotton cloth and then apply up and down the guide rods. |

Owner's Manual  
© 2021 All Rights Reserved

***SPIRIT***